

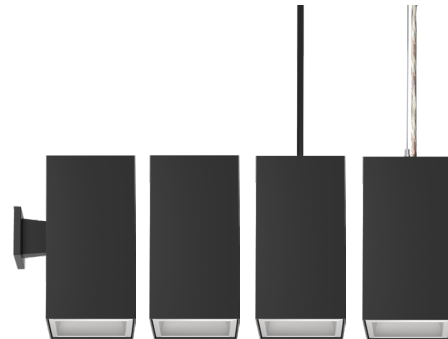
LTC-6SQDPH

LITEISTRY 6" SQUARE CYLINDER WITH POWERHUBB™

LITEISTRY™

FEATURES

- 6" architectural LED downlight cylinder delivering 600–2000 lm
- Five beam distributions from 0.4 to 1.2 Spacing Criteria
- Quiet reflector appearance with 50° optical cutoff
- 2700K - 5000K, 80+ and 90+ CRI options
- Available in Surface, Wall, Pendant, or Cable/Cord Mount configurations
- Versatile canopy options for recessed and surface-mounted J-box applications
- PowerHUBB™ enables low-voltage wired connectivity for Power over Ethernet (PoE) network system deployment



RELATED PRODUCTS

Ø 3" LITEISTRY Family

Ø 4" LITEISTRY Family

Ø 6" LITEISTRY Family



(Select Models)

CONTROL TECHNOLOGY



SPECIFICATIONS

CONSTRUCTION

- Seamless heavy gauge aluminum cylinder body with a clean appearance
- Available in Surface (S), Wall (W), Pendant (P), or Cable/Cord (CM) mounting types
- Canopy options include Conduit Canopy (CC), Power Canopy (PC), Power Conduit Canopy (PCC), or Recessed Mount Driver (RMD), (See Dimensions section for details)
- For S, P, or CM mounting with PCC canopy options, use 4" octagonal junction box (by others)
- All Wall Mount: Die cast aluminum mounting arm allows direct mounting to standard 4" octagonal or square junction box
- Pendant Mount canopy options allow sloped ceiling up to 35° (5° for RMD)
- Select from 4 standard architectural painted finishes, Brushed Aluminum, or specified custom color

OPTICS

- Visually pleasing 50° cutoff to source and source image
- The light distribution is free of distracting bright spots or pixelation and the perimeter has a smooth transition
- Optical grade silicone lens integral to light engine
- High purity four panel aluminum reflector, self-flanged
- Large selection of anodized finishes and colors
- Painted cones and flange options available

ELECTRICAL

- Chip-on-board (COB) with 2 SDCM
- Multiple CCTs, 80+ or 90+ CRI
- Long LED life: L90 at 55,000 (TM-21)
- PowerHUBB™ enables low-voltage wired connectivity for Power over Ethernet (PoE) network system deployment
- EMI Filtering (FCC 47 CFR Part 15) Class A

INSTALLATION

- Light Engine/Trim assembly is mechanically secured with torsion springs of installation
- A quick connect is provided for easy maintenance or upgrade
- Recessed Mount Driver (RMD) is accessible from above or below ceiling; assembly mounts with 1/4-20 threaded rod (by others) and requires 6" plenum clearance
- Conduit Canopy options (CC or PCC) allow field selectable conduit entry (up to 4@ 90°) (See Dimensions section)
- Conduit Canopies utilize a patent pending mounting yoke to secure cylinder to the ceiling surface
- Cable/Cord can be cut in the field to custom length
- Standard and Custom Pendant lengths available (specify when ordering)

CERTIFICATIONS

- cCSAus certified to UL 2108
- Wall Mount (except CC): Suitable for wet locations
- Pendant Mount (except PCC): Suitable for wet locations under covered ceiling
- Surface, Cable/Cord Mount and all CC and PCC: Suitable for damp locations
- This product qualifies as a "designated country construction material" per FAR 52.225-11 Buy American-Construction. Materials under Trade Agreements effective 6/6/2020. See Buy American Solutions.

WARRANTY

- 5 year warranty
- See HLI Standard Warranty for additional information

KEY DATA	
Lumen Range	600–2000
Wattage Range	8–23
Efficacy Range (LPW)	87–99*
Reported Life (Hours)	L90 / >55,000
Input Current Range (mA)	N/A

*Based on Specular, 35K, 80 CRI



LTC-6SQDPH

LITEISTRY 6" SQUARE CYLINDER WITH POWERHUBB™

DATE: _____ LOCATION: _____

TYPE: _____ PROJECT: _____

CATALOG #: _____

ORDERING GUIDE

Example: LTC-6SQDPH-CM15WHPCC-PMC-SS-WH

CATALOG # _____

LTC-6RDPH	Cylinder Mounting		Canopy Option	Lumen Output		CCT		CRI		
Aperture/Shape/Function										
LTC-6SQDPH 6" Square Cylinder Downlight	S Surface		<i>Refer to chart on Page 3 for available canopy options based on driver/controls selection</i> Standard Canopy ^{3,5}	06L 600 Lumens ³	27K 2700K	8 80+ CRI				
	W Wall			10L 1000 Lumens ³	30K 3000K	9 90+ CRI				
	P Pendant (Standard) Nominal 18" length from cylinder top to ceiling ⁶			15L 1500 Lumens ³	35K 3500K					
	P_ Pendant (Custom) Specify length from cylinder top to ceiling in 1 inch increments from 15 to 60 ⁶			20L 2000 Lumens ³	40K 4000K					
			CC Conduit Canopy ^{3,5}	50K 5000K ¹						
			PC Power Canopy ^{3,5}							
			PCC Power Conduit Canopy ^{3,5}							
			RMD Recessed Mount Driver ^{3,5}							
	Cable/Cord ⁴									
	CM 6ft Clear Cord									
	CMBL 6ft Black Cord									
	CMWH 6ft White Cord									
	CM15 15ft Clear Cord									
	CM15BL 15ft Black Cord									
	CM15WH 15ft White Cord									

Distribution		PowerHUBB Node		Reflector Finish	Reflector Color	Flange Color Options	
VNR Very Narrow (0.4 SC/25")		PM PowerHUBB™, On/Off/1% Dim, Master		<i>Finish not applicable with painted reflectors (WC or BC)</i>		<i>Standard Clear</i>	
NR Narrow (0.6 SC/36")		PMC PowerHUBB™, On/Off/1% Dim, Control Inputs, Master		S Specular	CG Champagne Gold	WT White Flange ²	
MD Medium (0.7 SC/43")		PS PowerHUBB™, On/Off/1% Dim, Satellite		SS Semi-Specular	BL Black	BT Black Flange ²	
WD Wide (1.0 SC/65")		PSC PowerHUBB™, On/Off/1% Dim, Control Inputs, Satellite		VS Softglow®	LW Light Wheat		
XW Extra Wide (1.2 SC/69")				VSS SoftSheen™	PW Pewter		
					WC Painted White Cone and Flange		
					BC Painted Black Cone and Flange		

Exterior Cylinder Color	
BA	Brushed Aluminum ⁷
BZ	Bronze
BL	Matte Black
WH	Matte White
SVR	Silver
CC_	Custom Color
TCC_	(Specify RAL#, Example: CCRAL1073)
	True Custom Color
	(Specify description, Example: TCC BABY BLUE, Paint chip must be provided to match)

- Notes:
- 1 5000K available in 80+ CRI only.
 - 2 WT not needed for WC, BT not needed for BC.
 - 3 For lumen outputs/configurations available, see chart on page 3.
 - 4 Cable/Cord can be cut in the field to custom length.
 - 5 See Dimensions section for canopy configuration details.
 - 6 Stem length varies by canopy configuration. See Dimensions section for details.
 - 7 Canopy color for Brushed Aluminum is Black.



LTC-6SQDPH

LITEISTRY 6" SQUARE CYLINDER WITH POWERHUBB™

DATE: _____ LOCATION: _____

TYPE: _____ PROJECT: _____

CATALOG #: _____

DRIVER/CONTROL OPTION AVAILABILITY

Driver and Control options listed below are available in the configurations and lumen packages as shown.

Driver/Control Option		Cylinder Mounting ¹	Canopy Options ²	06L	10L	15L	20L
All PH	0-10V 5%	W	Standard/CC	●	●	●	●
		P/S/CM	PC/PCC/RMD	●	●	●	●

- 1 See Cylinder Mounting chart.
- 2 See Canopy Options chart and Dimensions section for details.
- 3 RMD is Non-IC rated unless noted.

Cylinder Mounting	
W	Wall Mount
S	Surface Mount
CM	Cable/Cord Mount
P	Pendant Mount

Canopy Options	
<i>(Blank)</i>	<i>Standard Canopy</i>
CC	Conduit Canopy
PC	Power Canopy
PCC	Power Conduit Canopy
RMD	Recessed Mount Driver ³

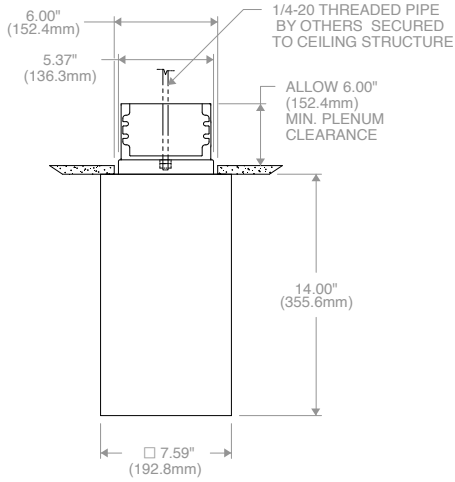
PERFORMANCE DATA TABLE

Performance data provided below is for 3500K, 80 CRI with Specular Clear reflector finish/color

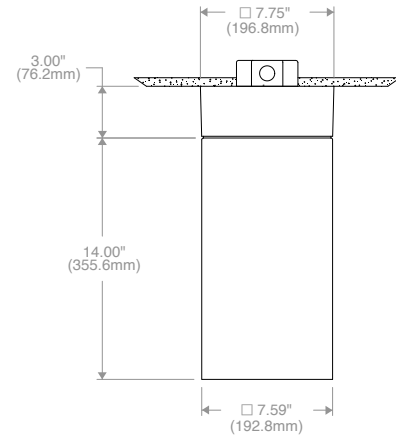
Lumen Package	Nominal Lumens	Distribution	Delivered Lumens	Watts	LPW
06L	600	Very Narrow	723	7.8	93
		Narrow	757	7.8	97
		Medium	708	7.8	91
		Wide	600	7.8	77
		Extra Wide	567	7.8	73
10L	1000	Very Narrow	1155	12.0	96
		Narrow	1210	12.0	101
		Medium	1131	12.0	94
		Wide	958	12.0	80
		Extra Wide	906	12.0	76
15L	1500	Very Narrow	1660	18.7	89
		Narrow	1738	18.7	93
		Medium	1624	18.7	87
		Wide	1377	18.7	74
		Extra Wide	1302	18.7	70
20L	2000	Very Narrow	2282	22.7	101
		Narrow	2282	22.8	100
		Medium	2206	22.8	97
		Wide	2031	22.8	89
		Extra Wide	1975	22.8	87

DIMENSIONS

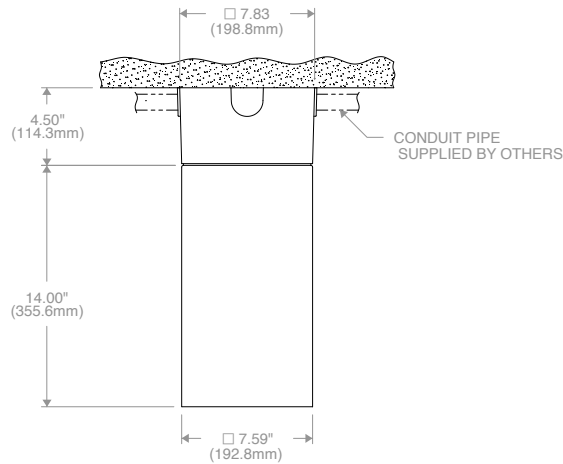
SURFACE (S)



Surface Recessed Mount Driver SRMD



Surface Power Canopy SPC



Surface Power Conduit Canopy SPCC

LTC-6SQDPH

LITEISTRY 6" SQUARE CYLINDER WITH POWERHUBB™

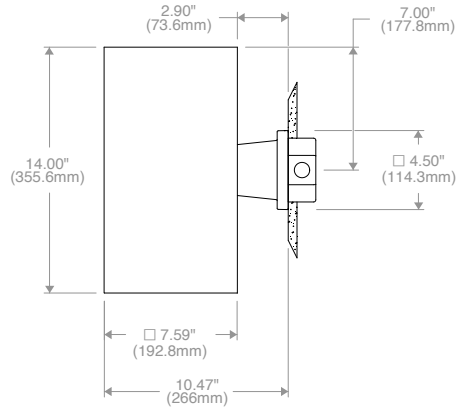
DATE: _____ LOCATION: _____

TYPE: _____ PROJECT: _____

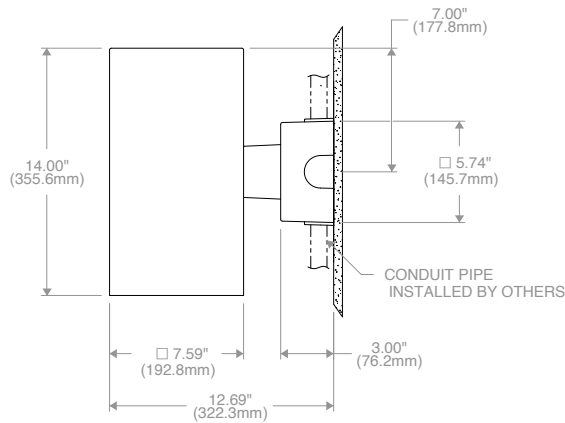
CATALOG #: _____

DIMENSIONS

WALL (W)



**Wall
Standard Canopy
W**



**Wall
Conduit Canopy
WCC**

LTC-6SQDPH

LITEISTRY 6" SQUARE CYLINDER WITH POWERHUBB™

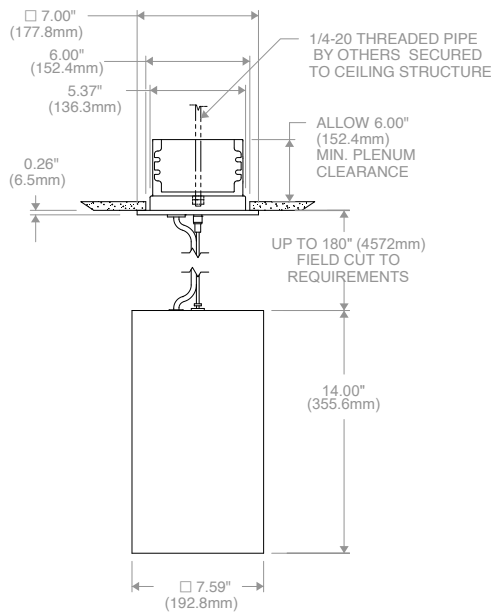
DATE: _____ LOCATION: _____

TYPE: _____ PROJECT: _____

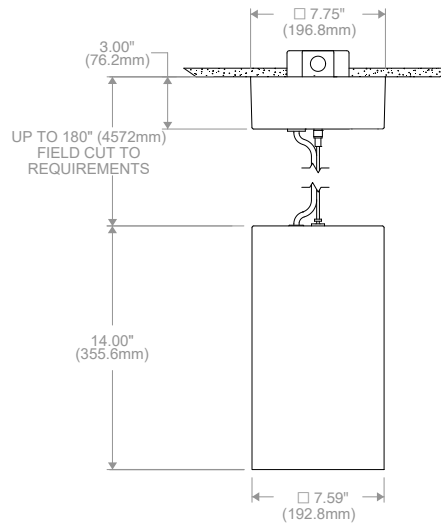
CATALOG #: _____

DIMENSIONS

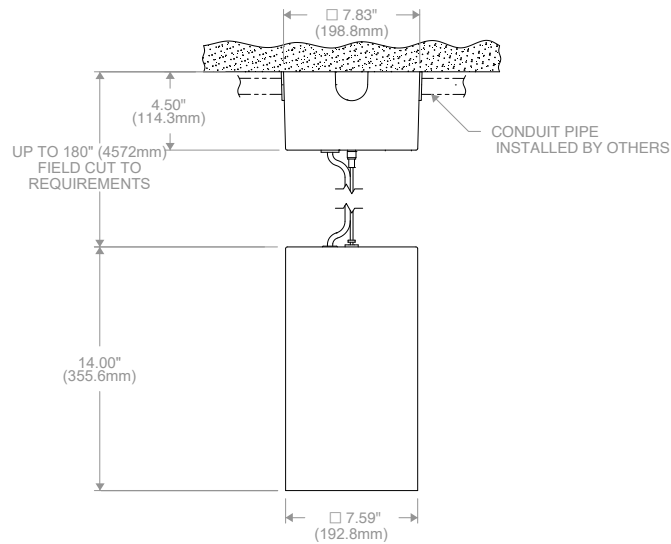
CABLE/CORD (CM)



**Cable/Cord
Recessed Mount Driver
CMRMD**



**Cable/Cord
Power Canopy
CMPC**



**Cable/Cord
Power Conduit Canopy
CMPC**

LTC-6SQDPH

LITEISTRY 6" SQUARE CYLINDER WITH POWERHUBB™

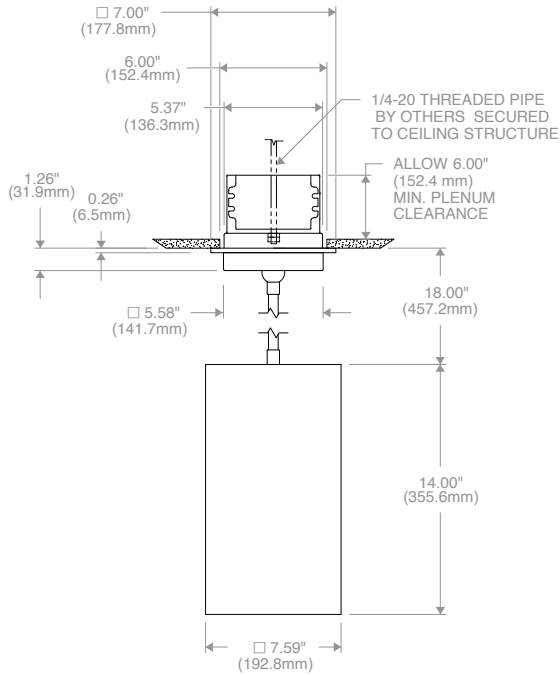
DATE: _____ LOCATION: _____

TYPE: _____ PROJECT: _____

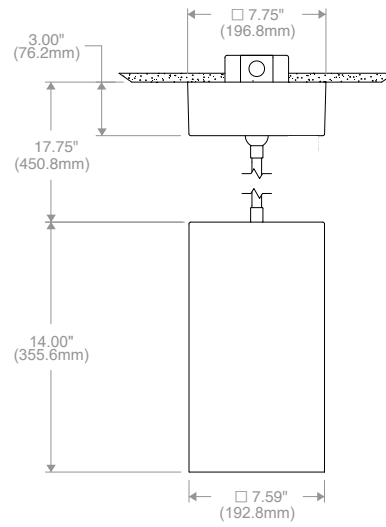
CATALOG #: _____

DIMENSIONS

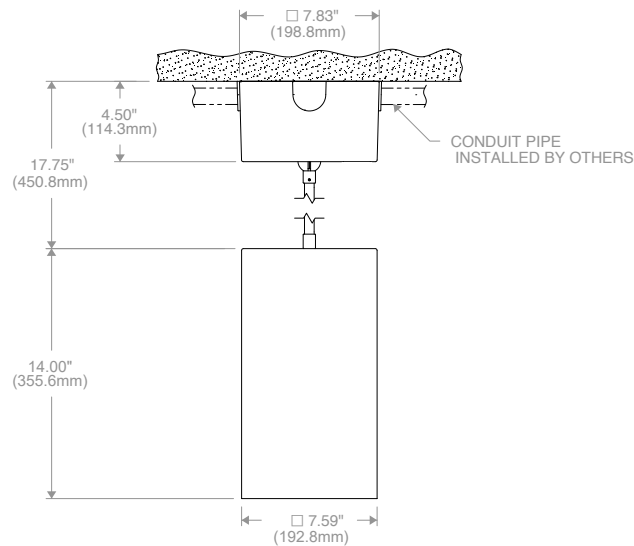
PENDANT (P)



Pendant Recessed Mount Driver PRMD



Pendant Power Canopy PPC



Pendant Power Conduit Canopy PPCC

LTC-6SQDPH

LITEISTRY 6" SQUARE CYLINDER WITH POWERHUBB™

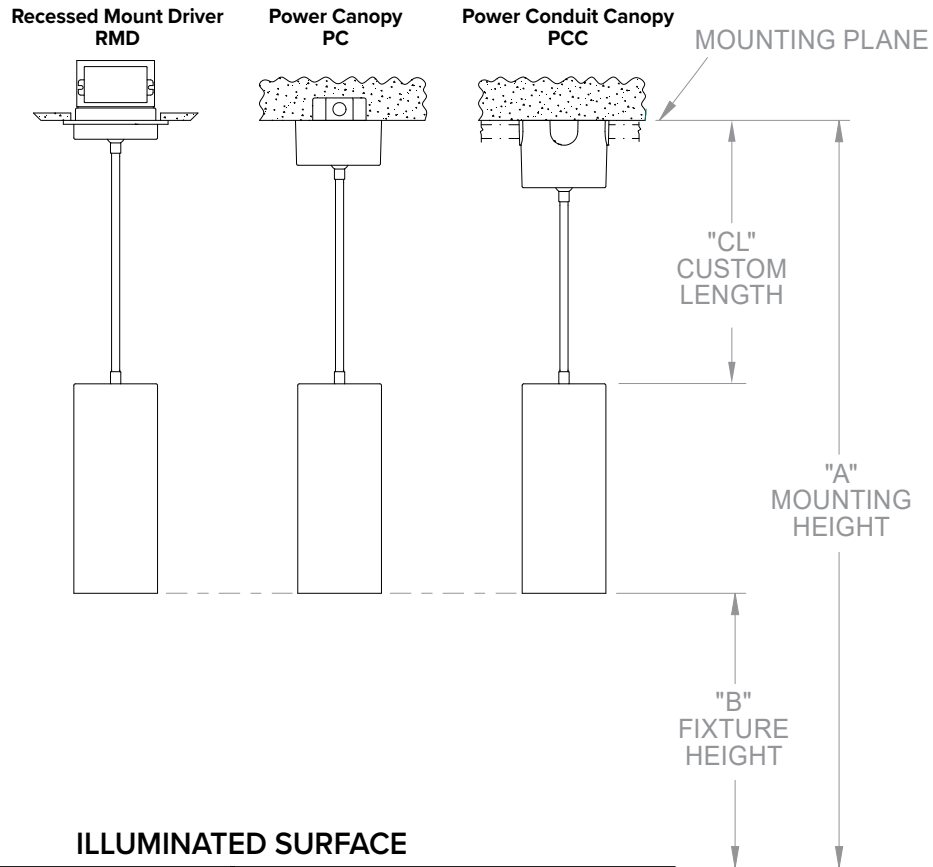
DATE: _____ LOCATION: _____

TYPE: _____ PROJECT: _____

CATALOG #: _____

DIMENSIONS

PENDANT CUSTOM LENGTH



Custom Length (CL) = Mounting Height (A) - Fixture Height (B) - 14" Cylinder

Ordering Example:

A (120") - B (72") - 14" = 34" Custom Length
LTC-6SQD-P34

LTC-6SQDPH

LITEISTRY 6" SQUARE CYLINDER WITH POWERHUBB™

DATE: _____ LOCATION: _____

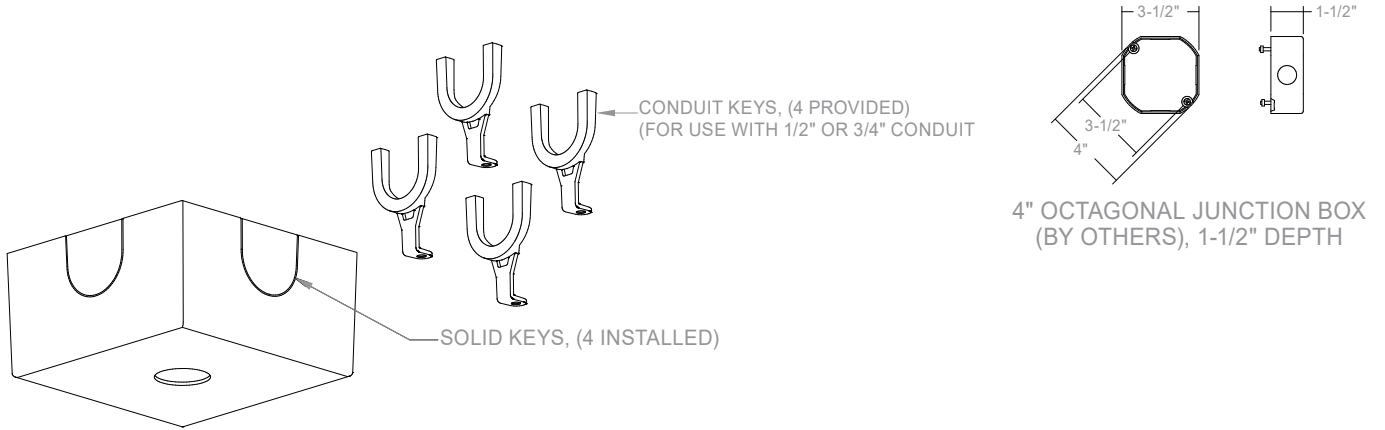
TYPE: _____ PROJECT: _____

CATALOG #: _____

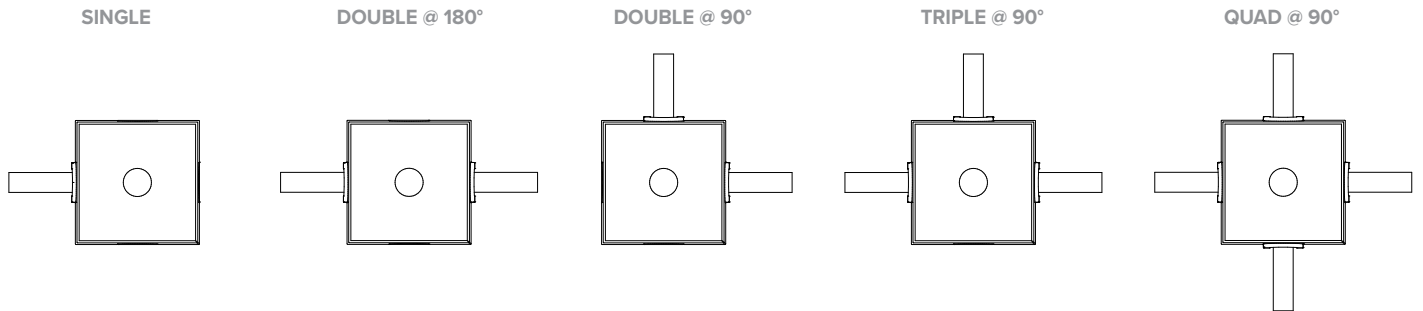
DIMENSIONS

CONDUIT CANOPY DETAILS

CC and PCC Conduit Canopy options come standard with (4) Solid Keys installed and (4) Conduit Keys provided.
Accommodates a 4" octagonal junction box with 1-1/2" depth (by others).



CONDUIT MOUNTING EXAMPLES - FIELD INTERCHANGEABLE



LTC-6SQDPH

LITEISTRY 6" SQUARE CYLINDER WITH POWERHUB™

PHOTOMETRY

LTC-6SQDPH-P-20L35K8VNR-PMC-S-BL

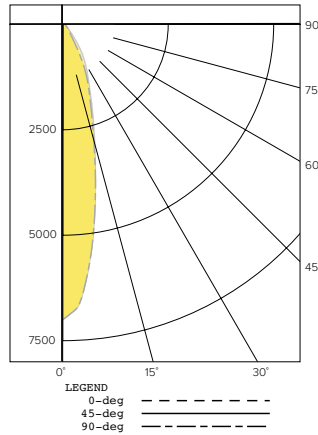
LUMINAIRE DATA

Test No.	R19.00934-C02
Description	2000 lm, Very Narrow, 3500K, 80 CRI
Delivered Lumens	2282
Watts	22.8W
Efficacy	100
Mounting	Recessed
Spacing Criterion	0.4
Beam Angle (FWHM)	25

ZONAL LUMEN SUMMARY

Zone	Lumens	% Luminaire
0-40	2282	95.1
0-60	2274	99.7
0-90	2282	100.0
0-180	2282	100.0

POLAR GRAPH



CANDELA DISTRIBUTION

Degree	Candela - 0	Candela - 45	Candela - 90
0	7034	7034	7034
5	6158	6172	6176
15	2778	2894	2806
25	1214	1390	1221
35	266	580	269
45	88	116	90
55	17	23	21
65	4	4	4
75	2	2	2
85	0	1	0
90	0	0	0

LTC-6SQDPH-P-20L35K8NR-PMC-S-BL

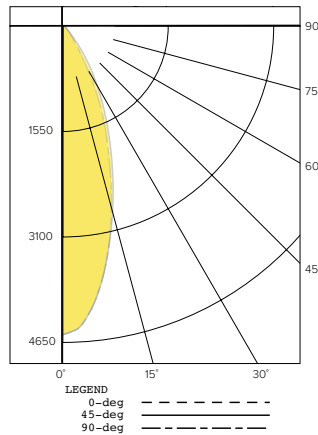
LUMINAIRE DATA

Test No.	R19.00935-02
Description	2000 lm, Narrow, 3500K, 80 CRI
Delivered Lumens	2252
Watts	22.8W
Efficacy	98.7
Mounting	Pendant
Spacing Criterion	0.6
Beam Angle (FWHM)	36

ZONAL LUMEN SUMMARY

Zone	Lumens	% Luminaire
0-40	2124	94.3
0-60	2244	99.7
0-90	2252	100.0
0-180	2252	100.0

POLAR GRAPH



CANDELA DISTRIBUTION

Degree	Candela - 0	Candela - 45	Candela - 90
0	4567	4567	4567
5	4305	4307	4304
15	2800	2874	2805
25	1334	1536	1343
35	342	628	344
45	99	134	101
55	19	26	19
65	4	5	4
75	2	2	2
85	0	1	0
90	0	0	0

LTC-6SQDPH-P-20L35K8MD-PMC-S-BL

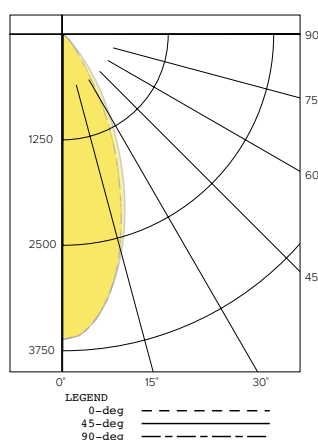
LUMINAIRE DATA

Test No.	R19.01046-02
Description	2000 lm, Medium, 3500K, 80 CRI
Delivered Lumens	2206
Watts	22.8W
Efficacy	96.8
Mounting	Pendant
Spacing Criterion	0.7
Beam Angle (FWHM)	43

ZONAL LUMEN SUMMARY

Zone	Lumens	% Luminaire
0-40	2062	93.5
0-60	2199	99.7
0-90	2206	100.0
0-180	2206	100.0

POLAR GRAPH



CANDELA DISTRIBUTION

Degree	Candela - 0	Candela - 45	Candela - 90
0	3615	3615	3615
5	3486	3487	3485
15	2608	2668	2602
25	1387	1592	1385
35	413	684	414
45	112	155	112
55	20	29	20
65	4	5	4
75	2	2	2
85	0	1	0
90	0	0	0



DATE: _____ LOCATION: _____

TYPE: _____ PROJECT: _____

CATALOG #: _____

LTC-6SQDPH

LITEISTRY 6" SQUARE CYLINDER WITH POWERHUBB™

PHOTOMETRY (CONTINUED)

LTC-6SQDPH-P-20L35K8WD-PMC-S-BL

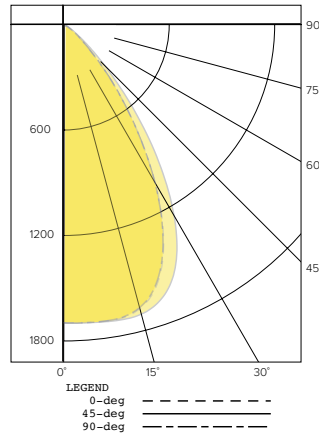
LUMINAIRE DATA

Test No.	R19.00936-02
Description	2000 lm, Wide, 3500K, 80 CRI
Delivered Lumens	2031
Watts	22.8W
Efficacy	89.0
Mounting	Pendant
Spacing Criterion	1.00
Beam Angle (FWHM)	65

ZONAL LUMEN SUMMARY

Zone	Lumens	% Luminaire
0-40	1768	87.0
0-60	2020	99.5
0-90	2031	100.0
0-180	2031	100.0

POLAR GRAPH



CANDELA DISTRIBUTION

Degree	Candela - 0	Candela - 45	Candela - 90
0	1697	1697	1697
5	1701	1702	1701
15	1671	1704	1664
25	1335	1501	1326
35	701	915	697
45	205	308	207
55	31	54	32
65	6	7	6
75	3	3	3
85	1	1	1
90	0	0	0

LTC-6SQDPH-P-20L35K8XW-PMC-S-BL

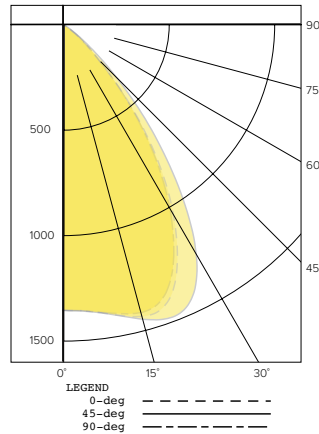
LUMINAIRE DATA

Test No.	R19.01047-02
Description	2000 lm, Extra Wide, 3500K, 80 CRI
Delivered Lumens	1975
Watts	22.7W
Efficacy	87.0
Mounting	Pendant
Spacing Criterion	1.2
Beam Angle (FWHM)	69

ZONAL LUMEN SUMMARY

Zone	Lumens	% Luminaire
0-40	1670	84.5
0-60	1964	99.4
0-90	1975	100.0
0-180	1975	100.0

POLAR GRAPH



CANDELA DISTRIBUTION

Degree	Candela - 0	Candela - 45	Candela - 90
0	1354	1354	1354
5	1364	1365	1363
15	1432	1445	1413
25	1275	1436	1236
35	775	970	747
45	244	367	240
55	36	64	36
65	7	8	7
75	3	3	3
85	1	1	1
90	0	0	0

LUMEN MULTIPLIER

Option	27K8	30K8	35K8	40K8	50K8	27K9	30K9	35K9	40K9
Multiplier	0.94	0.98	1.00	1.01	1.02	0.81	0.84	0.85	0.85

Photometrics are published below at a nominal 3500 Kelvin, 80+ CRI. This table may be used to approximate the lumen values at different Kelvin temperatures. Power consumption would stay the same.



LTC-6SQDPH

LITEISTRY 6" SQUARE CYLINDER WITH POWERHUBB™

DATE: _____ LOCATION: _____

TYPE: _____ PROJECT: _____

CATALOG #: _____

ELECTRICAL DATA

WATTAGE DATA		
Lumen Output	Nominal Lumens	WATTAGE
06L	600	8
10L	1000	12
15L	1500	19
20L	2000	23

* Wattage may vary based on configuration and options selected

ADDITIONAL INFORMATION



Hubbell Control Solutions' PowerHUBB™ is an enterprise-level Power over Ethernet (PoE) lighting and control platform that seamlessly integrates luminaires, sensors, user interfaces and software for a scalable intelligent building control solution.

See separate [PowerHUBB™ In-Fixture Solutions Guide](#) and [Hubbell Control Solutions PowerHUBB Brochure](#) for more details.